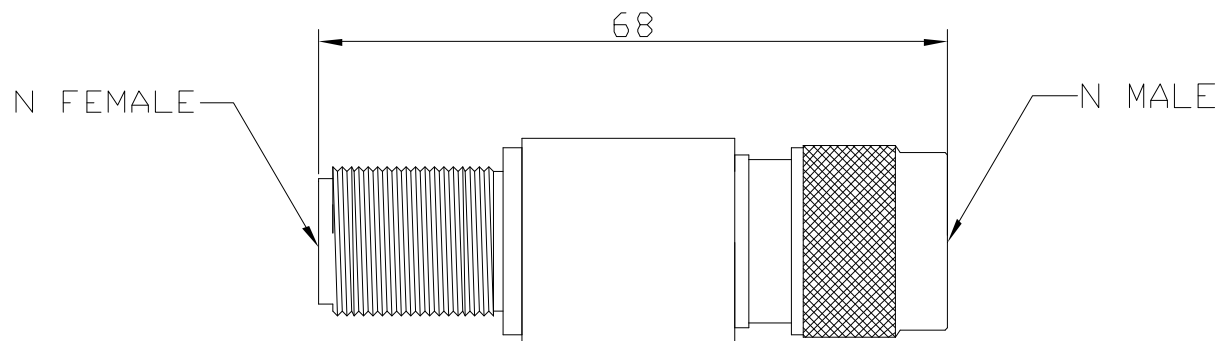


JWA-Arrestor-5803

0-6G Arrestor for N-Type Antenna



Specification

Frequency range	0~6GHz
VSWR	0~5GHz 1 : 1.5
	5~6GHz 1 : 2.0
INSERTION LOSS	0.5dB
DC breakdown voltage	90±20% (@100V/S)
Impulse breakdown voltage	< 600V (@1KV/μs)
AC Discharge Current	5A (@50Hz)
Surge Discharge Current	5KA (@8/20 μs)
Insulation Resistance	≥ 1000mΩ
Electrode Capacitance	< 1.5P

Environmental & Mechanical

Connector Type	N-Female to N-Male
----------------	--------------------